

**MH-1000**

# Micro Electronic Scale Introduction Manual

# Application scope



Coarse Grains



Nuts, Seeds



Pet feeds, Cat litter



Chemical Granulars

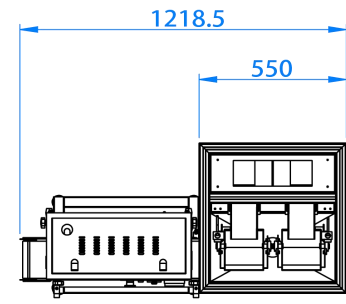
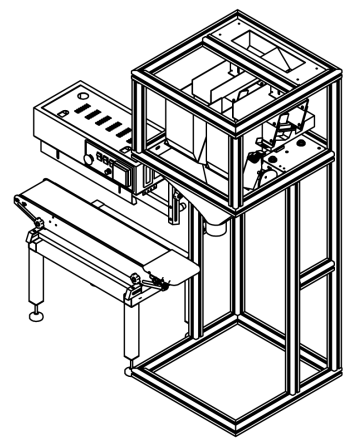
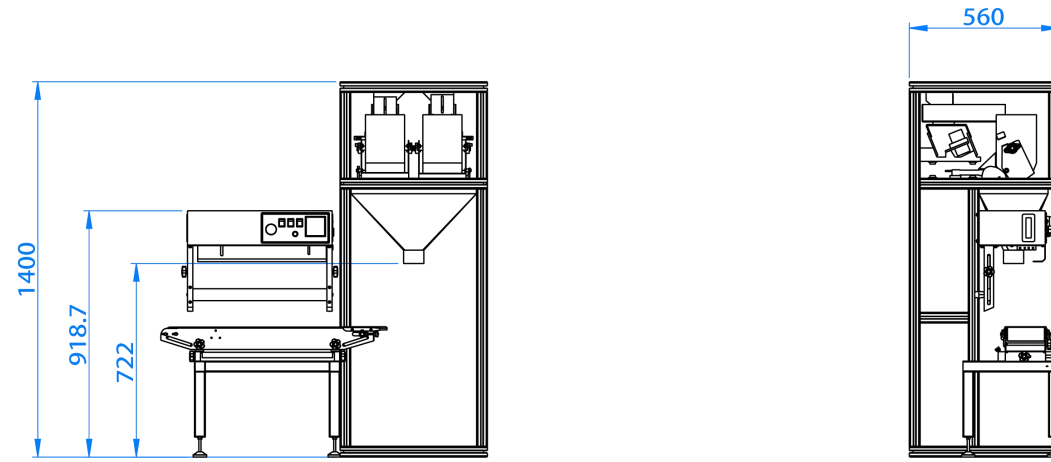
Packaging application scope: It is suitable for vacuum packaging of granular materials in fields such as grain, cat litter, and pet feeds, etc.

# Performance characteristics

---

1. Ultra wide range, adjustable within the range of 0.2kg-2.5kg, suitable for various materials and packaging specifications.
2. The fully electric mechanism only requires a 220V power supply to operate, eliminating the need for complex installation and configuration, simplifying the operation process, and reducing maintenance costs.
3. Fast speed, large output, significantly improving the work efficiency of the production line.

# Equipment sample drawing



# Equipment parameters

---

Number	Name	Equipment parameters
1	Power Supply	AC 220V/50HZ ,0.8KW
2	Sealing line speed	0-16m/min
3	sealing width	10mm
4	Temperature range	0-300°C
5	Bag size	Length120-350mm, width 100-265mm
6	Packaging speed	1000 bags/hour
7	Division Value	1g
8	Working Temperature	0-40°C
9	Equipment Dimensions(LxWxH)	1218mm*597mm*1928mm

# Finished product rendering

---



# Color diagram of the equipment (subject to the actual product)

---

